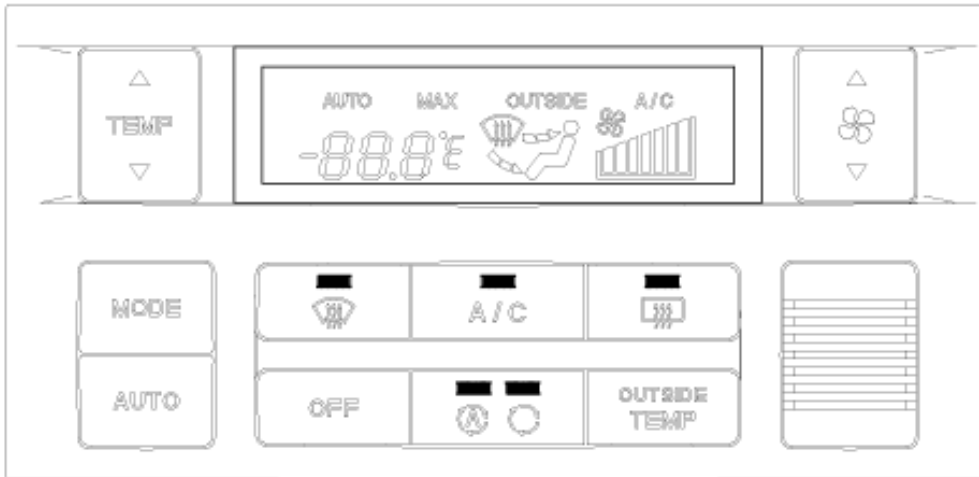




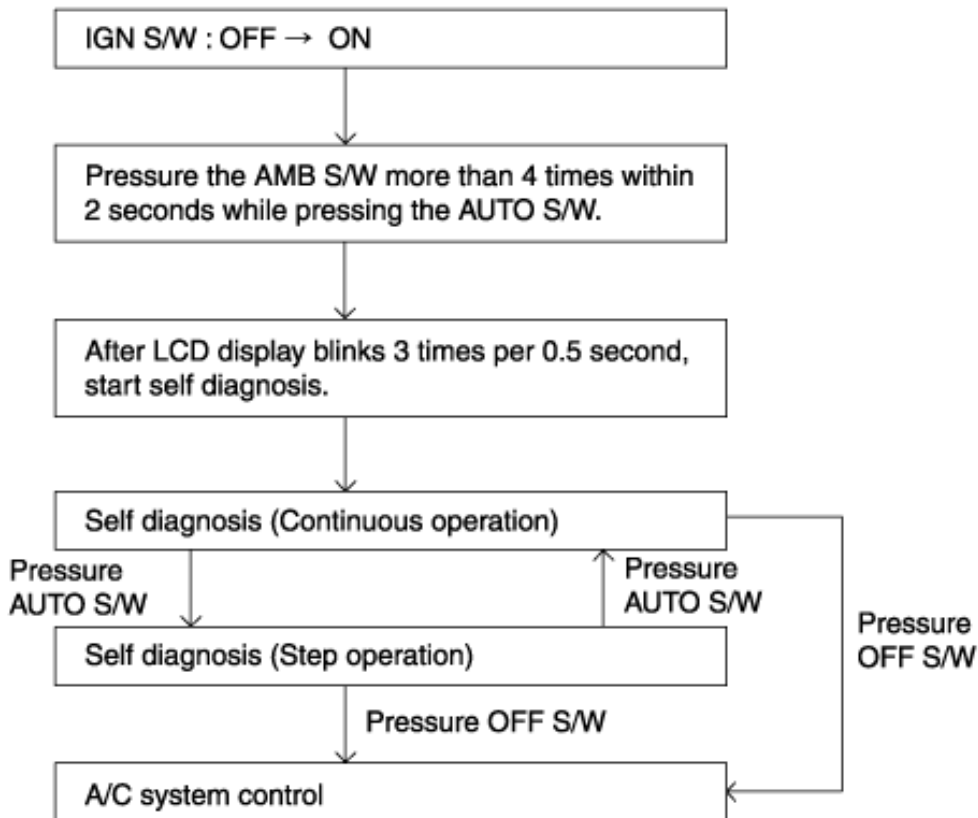
## SELF-DIAGNOSIS

The Full Automatic Temperature Control (F.A.T.C) module self test feature will detect electrical malfunctions and provide error code for system components with suspected failures.

## CONTROL PANEL



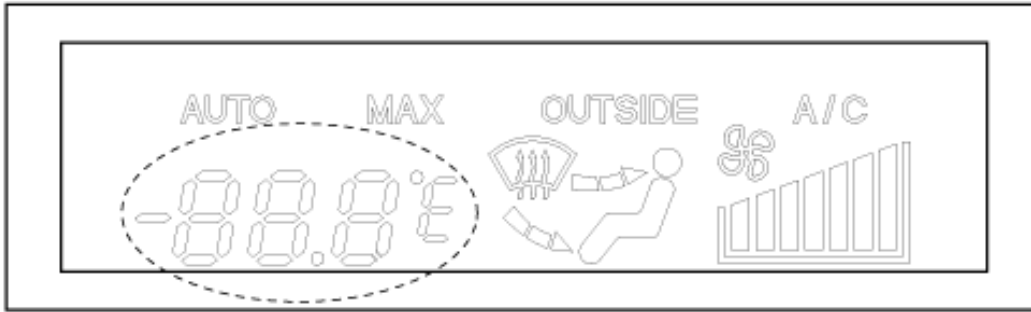
## SELF-DIAGNOSIS METHOD



## HOW TO READ SELF-DIAGNOSTIC CODE

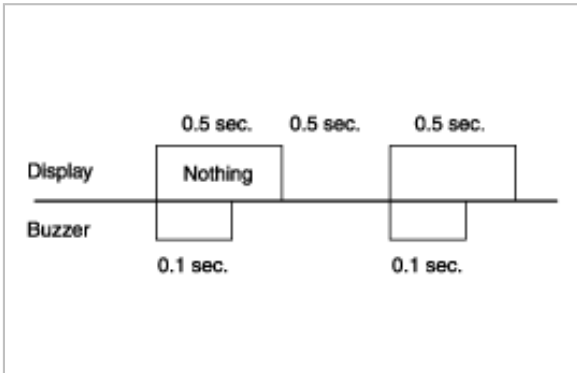
1. After the display panel flickers three times every 0.5 second, the corresponding error code flickers on the setup temperature display panel every 0.5 second and will show two figures.
2. If error code is more than two, each code flicker 2 times in sequence.

## DISPLAY

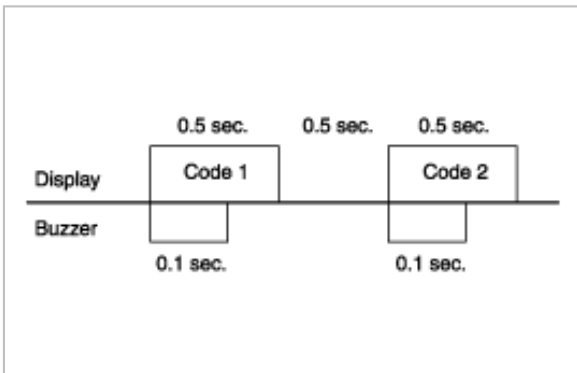


## FAULT CODE DISPLAY

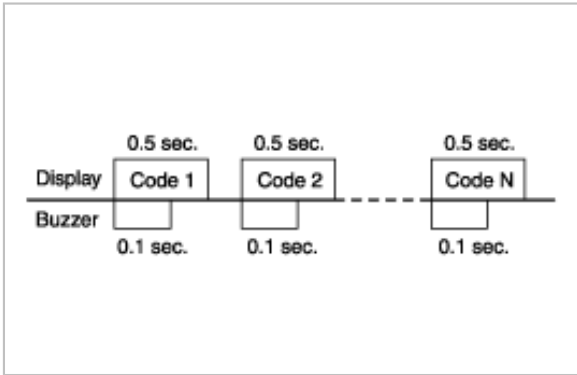
1. Normal



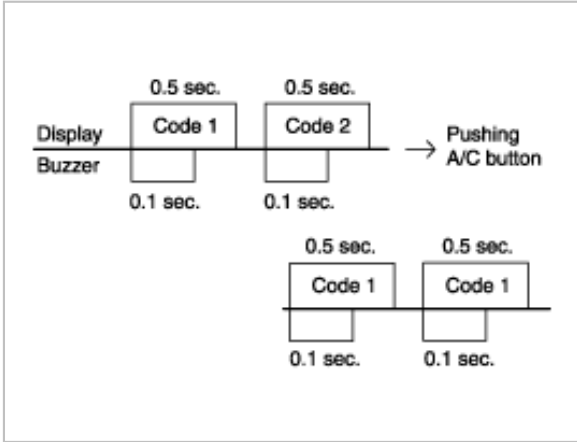
2. One error code



### 3. More error codes than two



### 4. Checking each error code



### DTC CHART

If malfunction code is displayed during the DTC check, check the circuit listed for that code in the table below.

DTC code	Detection item	Trouble area
00	Normal	-
11	Open INCAR Sensor circuit	<ul style="list-style-type: none"> <li>•Incar sensor</li> <li>•Harness or connector between incar sensor and A/C control assembly</li> <li>•A/C control assembly</li> </ul>
12	Shorted INCAR Sensor circuit	
13	Open Ambient sensor circuit	<ul style="list-style-type: none"> <li>•Ambient sensor</li> <li>•Harness or connector between ambient sensor and A/C control assembly</li> <li>•A/C control assembly</li> </ul>
14	Shorted Ambient sensor circuit	
15	Open water temp. sensor	<ul style="list-style-type: none"> <li>•Water temp. sensor</li> <li>•Harness or connector between water temp. sensor and A/C control assembly</li> <li>•A/C control assembly</li> </ul>
16	Shorted water temp. sensor	
17	Open thermistor	<ul style="list-style-type: none"> <li>•Pin thermistor</li> <li>•Harness or connector between evap. sensor and A/C control assembly</li> <li>•A/C control assembly</li> </ul>

18	Shorted thermistor	
19	Open or shorted temp. door potentiometer	•Harness or connector between temp. door potentiometer and A/C control assembly
20	Defective temp. door potentiometer	•Temp. door potentiometer
21	Open or shorted mode door potentiometer	•Harness or connector between mode door potentiometer and A/C control assembly
22	Defective mode door potentiometer	•Mode door potentiometer

## FAIL SAFE FUNCTION

No.	Item	Failure	FAIL SAFE Function
1	IN-CAR temperature sensor	Open/Short	25°C alternate value control
2	Ambient temperature sensor	Open/Short	20°C alternate value control
3	Thermistor sensor	Open/Short	-2°C alternate value control
4	Water temperature sensor	Open/Short	-20°C alternate value control
5	Temperature door potentiometer	Open/Short setup temperature	For 17°C to 24.5°C, set to maximum cooling position. For 25°C to 32°C, set to maximum heating position.
6	Mode door potentiometer	Open/Short setup mode	Vent mode, at vent mode Def mode, at except vent mode