



SERVICE ADJUSTMENT PROCEDURES

TRANSAXLE GEAR OIL LEVEL INSPECTION

Inspect each component for evidence of leakage. Check the gear oil level by removing the filler plug. If the oil is contaminated, it is necessary to replace it with new oil.

1. Remove oil filler plug and check level with finger.
2. Oil level must be up to fill the hole, add oil until it runs over. Then reinstall plug.
3. Replace the oil so that the transaxle gear oil is not dirty, and so that it is of a suitable viscosity.

REPLACEMENT OF TRANSAXLE GEAR OIL

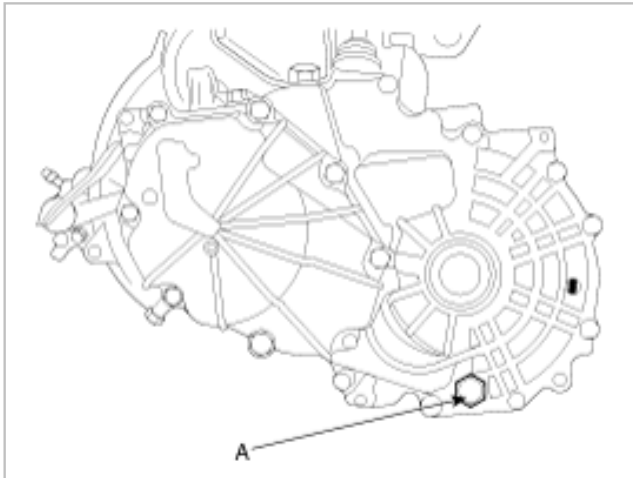
Transaxle gear oil :

HYUNDAI GENUINE PARTS MTF 75W/90 (API GL-4)

1. With the vehicle parked on a level surface, remove the drain plug and drain the transaxle oil.
2. Replace the gasket with a new one and install the drain plug(A).

Drain plug tightening torque :

30~35Nm (300~350kg-cm , 22~25lb-ft)



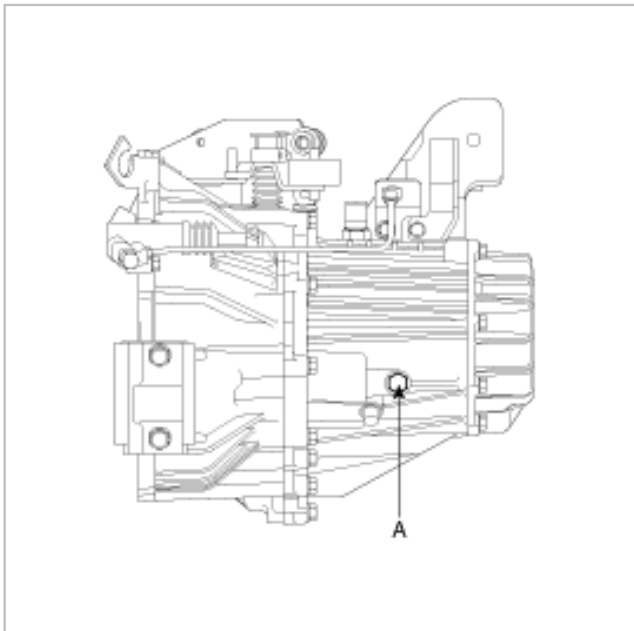
3. Add new oil through the filler plug(A) and, fill it to just below the plug opening.

Transaxle oil total capacity:

2.15 lit (2.27 U.S.qts., 1.89 imp.qts.)

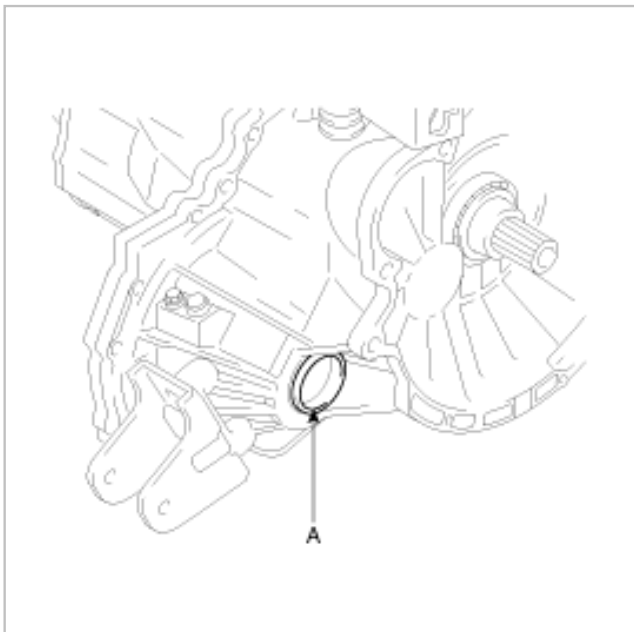
Filler plug tightening torque :

30~35Nm (300~350kg-cm , 22~25lb-ft)

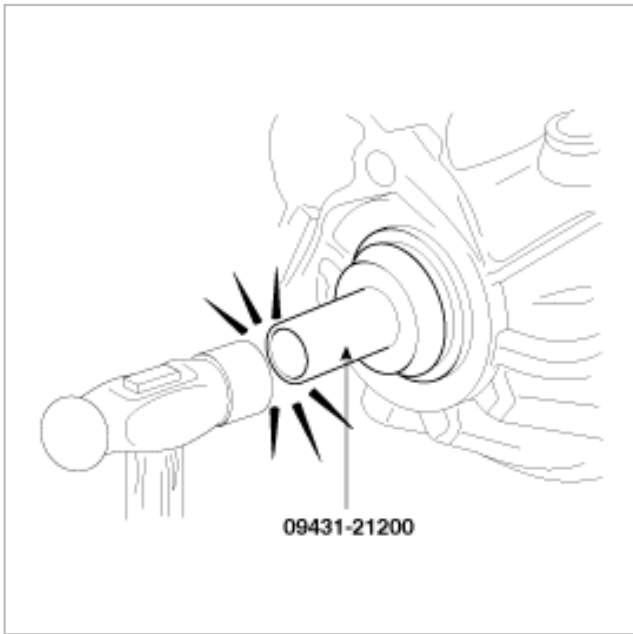


DRIVE SHAFT OIL SEAL REPLACE

1. Disconnect the drive shaft from the transaxle (see "DS" group).
2. Using a flat-tip screwdriver, remove the oil seal(A).



3. Using the special tool (09431-21200), tap the drive shaft oil seal into the transaxle.



4. Apply a coating of gear oil to the oil seal.

Transaxle gear oil :

HYUNDAI GENUINE PARTS MTF 75W/90 (API GL-4)
