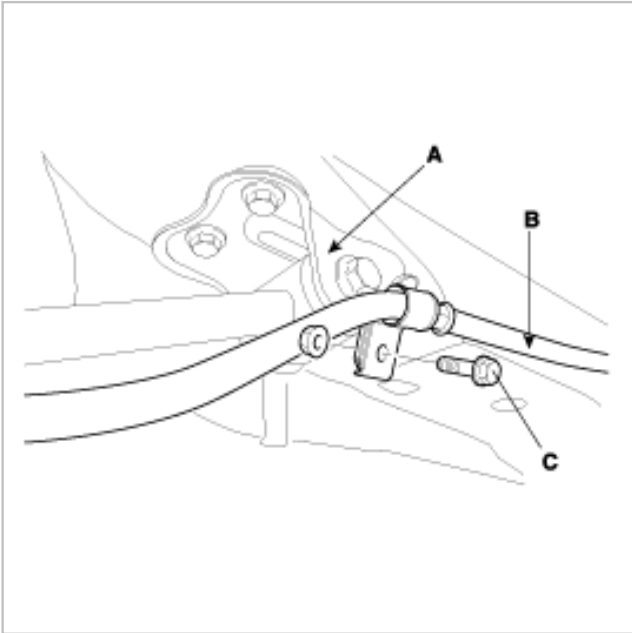


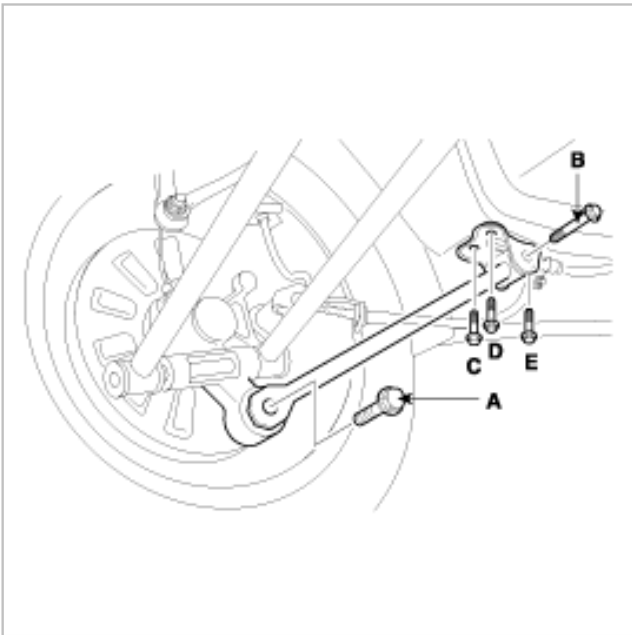


REMOVAL

1. After removing the bolt (C), detach the parking brake cable(B) which is fixed on the rear trailing arm bracket(A).



2. Remove the trailing arm mounting bolts(A,B) and the trailing arm bracket mounting bolts(C,D,E).

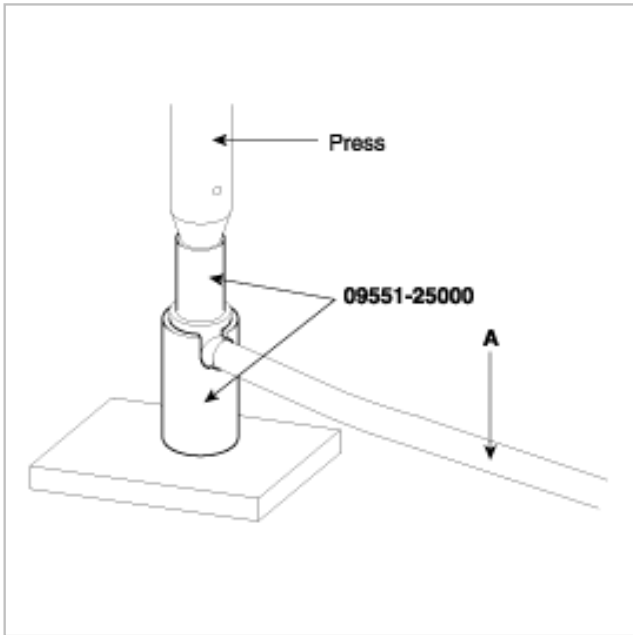


3. Remove the trailing arm.

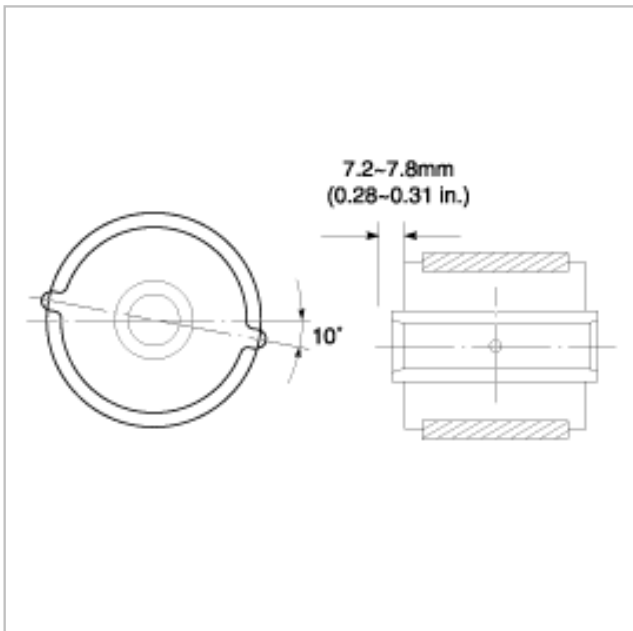
REPLACEMENT

TRAILING ARM BUSHING

1. Install the special tool (09551 - 25000) on the trailing arm(A).

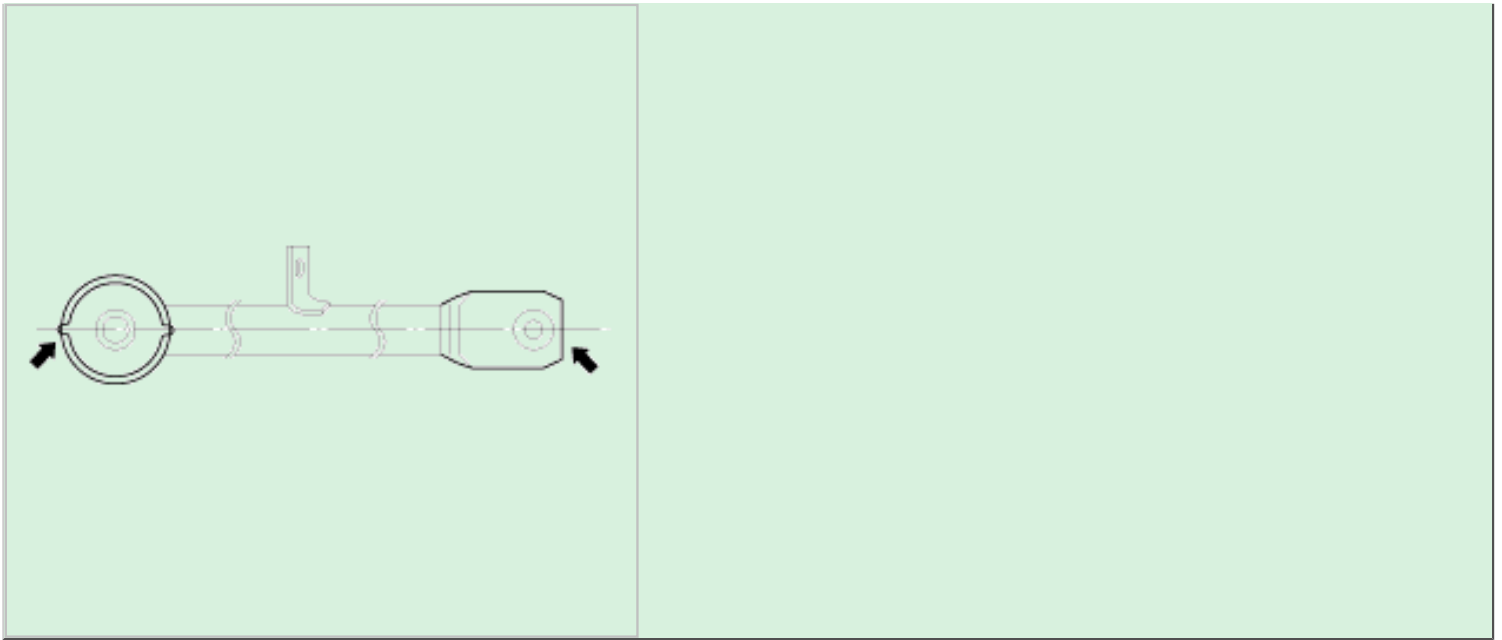


2. Remove the trailing arm bushing.
3. Using the special tool (09551 - 25000), press-fit the rear trailing arm bushing.



NOTE

Press-fit the bushing in the same way as shown in the illustration.



INSTALLATION

1. Installation is the reverse of the removal procedures.
2. Fully tighten the trailing arm mounting bolts to the specified torque under the unloaded vehicle on the ground.